

TP885 Alaska

TP886 Galapagos

TP887 Fiordland



Instructions for assembly, maintenance and safe use.
Please retain for future reference.



TP885 Alaska



TP886 Galapagos



TP887 Fiordland

WARNING!

THIS PRODUCT CONTAINS SMALL PARTS AND IS NOT SUITABLE FOR CHILDREN UNDER 36 MONTHS.
CONTAINS SMALL PARTS. CHOKING HAZARD.

ONLY FOR DOMESTIC USE. FOR OUTDOOR USE.

TOY MUST BE ASSEMBLED BY AN ADULT BEFORE USE.

ADULT SUPERVISION IS REQUIRED

CHILDREN MUST NOT USE THE EQUIPMENT UNTIL PROPERLY INSTALLED.

REMOVE ALL PACKAGING BEFORE GIVING TO YOUR CHILDREN.

THIS PRODUCT IS INTENDED FOR USE BY CHILDREN FROM AGES 3 TO 12 YEARS.

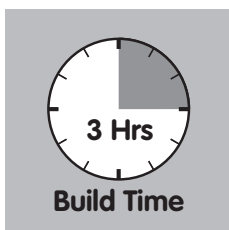
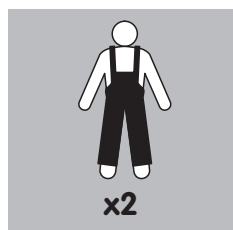
ANCHORS THAT ARE SUPPLIED WITH THIS PRODUCT MUST BE FITTED BEFORE USE.

MAXIMUM COMBINED USER WEIGHT FOR SWING FRAMES 200KGS

TP885 ALASKA SINGLE SEAT USER WEIGHT - 60KGS GLIDE RIDE USER WEIGHT - 35KGS PER SEAT

TP886 GALAPAGOS SINGLE SEAT USER WEIGHT - 60KGS GLIDE RIDE USER WEIGHT - 35KGS PER SEAT

TP887 FIORDLAND NEST SWING USER WEIGHT - 120KGS



Robovision Ltd t/a TP Toys

Unit 11, Enterprise Way, Flitwick, Bedfordshire, MK45 5BX England

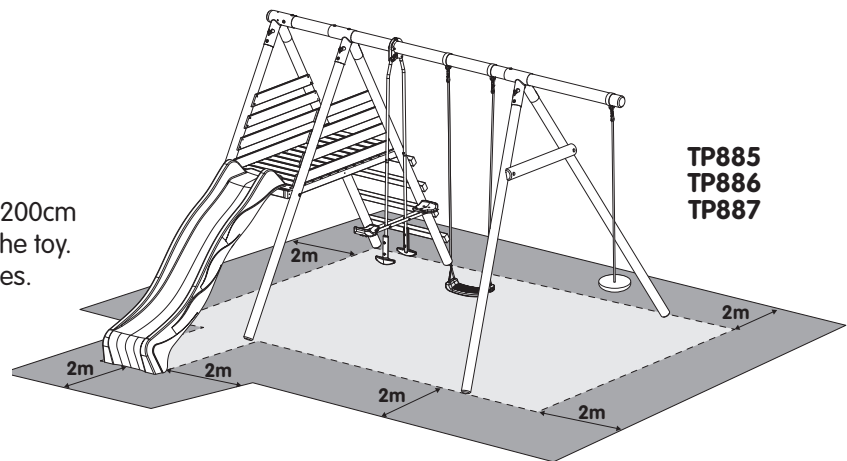
www.tptoys.com

Important advice for assembly, maintenance and safe use

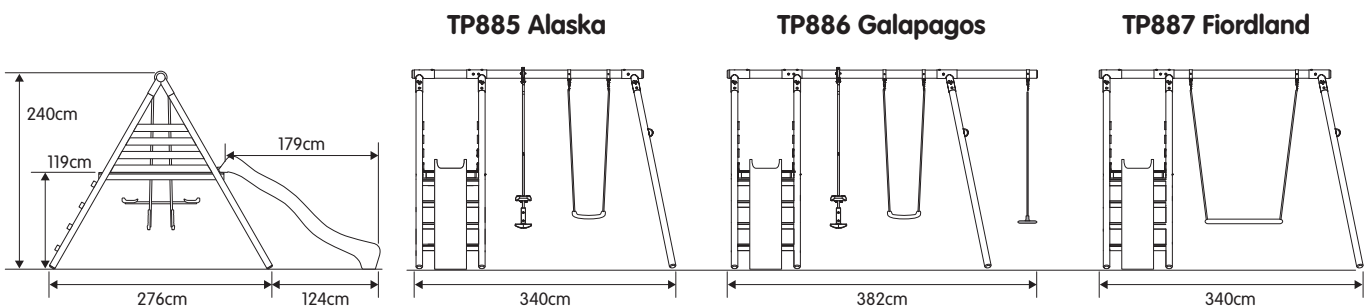
1. Toys must be assembled by an adult before use exactly in accordance with the instructions.
2. Check all parts are present before you start to assemble the product.
3. Place small parts on a tray or similar, to ensure they are not lost.
4. If any parts are missing do not use the product until the replacement parts are fitted.
5. Remove all packaging before giving to your children or allowing them to play with this product.
6. Ensure your product is sited on level ground. Failure to do this may put additional stress on connections and joints and in time could cause them to fail.
7. Ensure your product is located on a soft impact surface like grass. Never locate your product on hard surfaces like concrete or asphalt.
8. Children must not use this product until properly installed.
9. Adult supervision is required at all times to ensure children play safely. Ensure children's clothing is appropriate for the play activity.
10. Equipment should be checked by an adult at the beginning of each season and at regular intervals during the usage season to ensure it is safe.
11. Pay special attention to all connections and fastenings.
12. Parts may need to be replaced if they show signs of wear and tear. Replace any defective parts in accordance with these instructions.
13. Any changes to this toy, e.g. changing or adding an accessory, must be done in accordance with our instructions. Failure to do this will render your guarantee null and void and may make your product unsafe.
14. The age recommendation for this product is clearly stated on the packaging and these instructions. Please adhere to it at all times.
15. When you dispose of this equipment please do so responsibly.

Safe play free space area

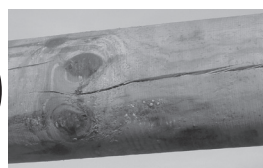
The safe play area refers to the zone extending 200cm around the toys on all sides and 250cm above the toy. The safe play area must be free from all obstacles.



Dimensions



TP885 TP887 & TP886



Know Your TP Round Wood.

Timber is a very popular choice for active outdoor toys. For reasons of affordability and the environment, all wood playset manufacturers use softwood rather than hardwood. Each piece of timber is unique, bearing its own knots, cracks and variations in colour.

Round timbers tend to come from younger smaller trees and are complete tree poles, stripped of any bark and other rough materials but subject to no further processing apart from the application of a suitable environmentally friendly preservative.

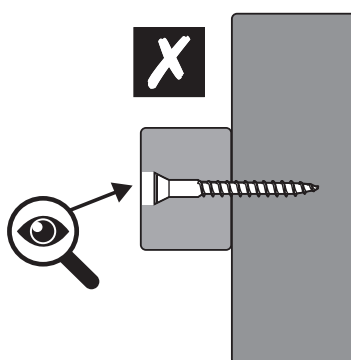
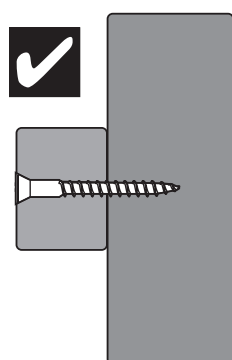
Our round wood frames are rustic in appearance. The heartwood that they are made from naturally has cracks and splits. These cracks will change over time due to atmospheric conditions. When wet, the wood will take in water, swell and the cracks will close up (not disappear), when dry the wood contracts and the cracks will open up.

Whilst this can sometimes seem alarming, the round timber frames are designed and dimensioned to ensure these natural characteristics do not have an impact upon the structural integrity of the frame. All of our wooden play frames are rigorously tested by an independent test house and fully comply with the relevant toy safety regulations.

Because of the natural characteristics of such wood products, it is vital that parents check their play frame regularly to identify any splintering or lifting of the surface layers of the wood or any exposure of rough wood due to changes in cracks and splits. Affected areas must be rubbed down using coarse sandpaper to restore a smooth. Safe surface.

Very occasionally these characteristics can develop to a point where replacing the pole may be required. This can be if a crack is in a particular position or if a crack exceeds certain parameters. Examples of this are:

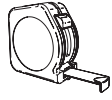
- Where cracks open up in excess of 5mm in width.
- Where cracks of a significant width extend over half the total length of the timber.
- Where cracks run through fixing points.



Tools - You will need:



Mallet



Tape Measure



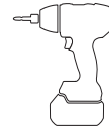
Step Ladder



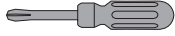
Spirit Level



3mm & 5mm
Drill Bits



Combi Drill



Screwdriver



Spanner
10 & 13mm



Sockets
10 & 13mm



Wrench



Pozi #2
Pozi #3

**Also
Required:**



Not Supplied



Shovel

885-1

885- 1 Alaska / 887-1 Fjordland / 886-1 Galapagos

Contents please check:

MW0225 612mm **x3**



MW0218 1400mm **x2**



MW0223 700mm **x14**



MW0219 1210mm **x2**



MW0228 795mm **x1**



MW0220 1015mm **x2**



MW0221 825mm **x2**



MW0226 1550mm **x2**



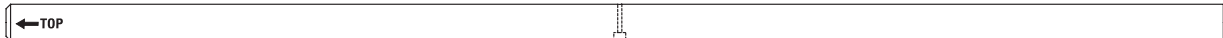
MW0224 850mm **x4**



885-2

885- 2 Alaska / 887-2 Fjordland / 886-2 Galapagos

MW0222 2668mm **x4**



885-3

885- 3 Alaska / 887-3 Fjordland

MW0200 2700mm **x2**



MW0202 900mm **x1**



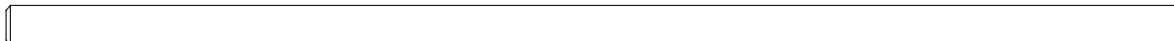
MW0203 2250mm **x1**



886-3

886-3 Galapagos

MW0200 2700mm **x2**



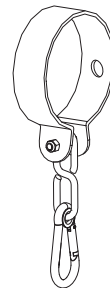
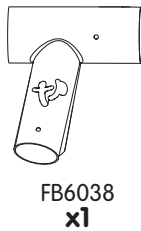
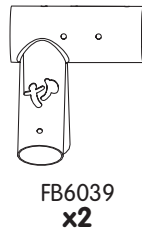
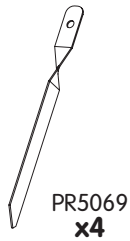
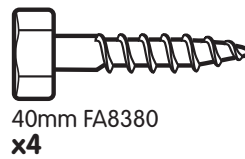
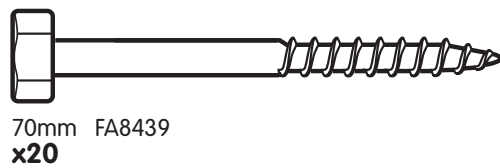
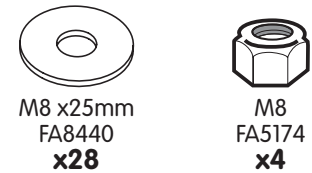
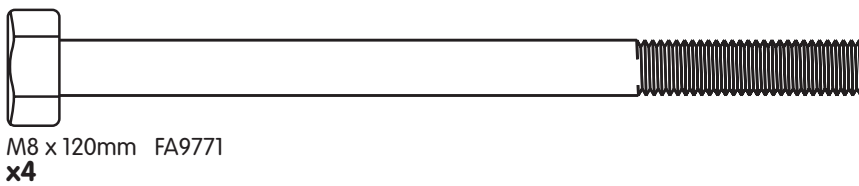
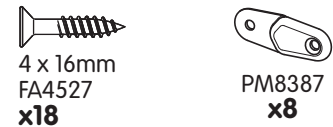
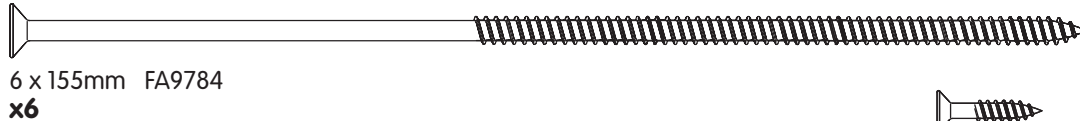
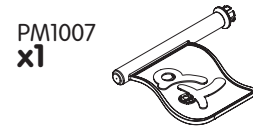
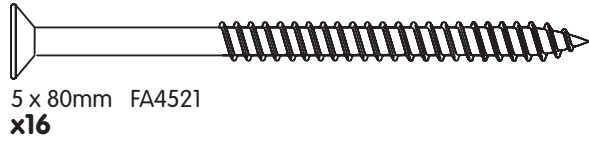
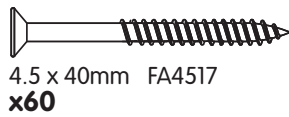
MW0202 900mm **x1**



MW0201 3000mm **x1**



Please note: There may be some fixings left over after the assembly build.



TP885 x2
TP887 x2
TP886 x3

Swing Accessories

Swing Seats supplied vary depending on product purchased. See page 19 for details.



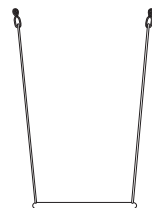
Button Seat



Lime Seat

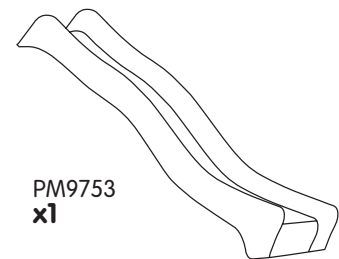


Glide Ride



Nest Swing

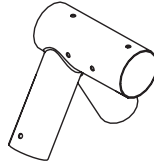
960
885-5 / 887-5 / 886-5



TP885 TP887 TP886 - Deck Assembly

1

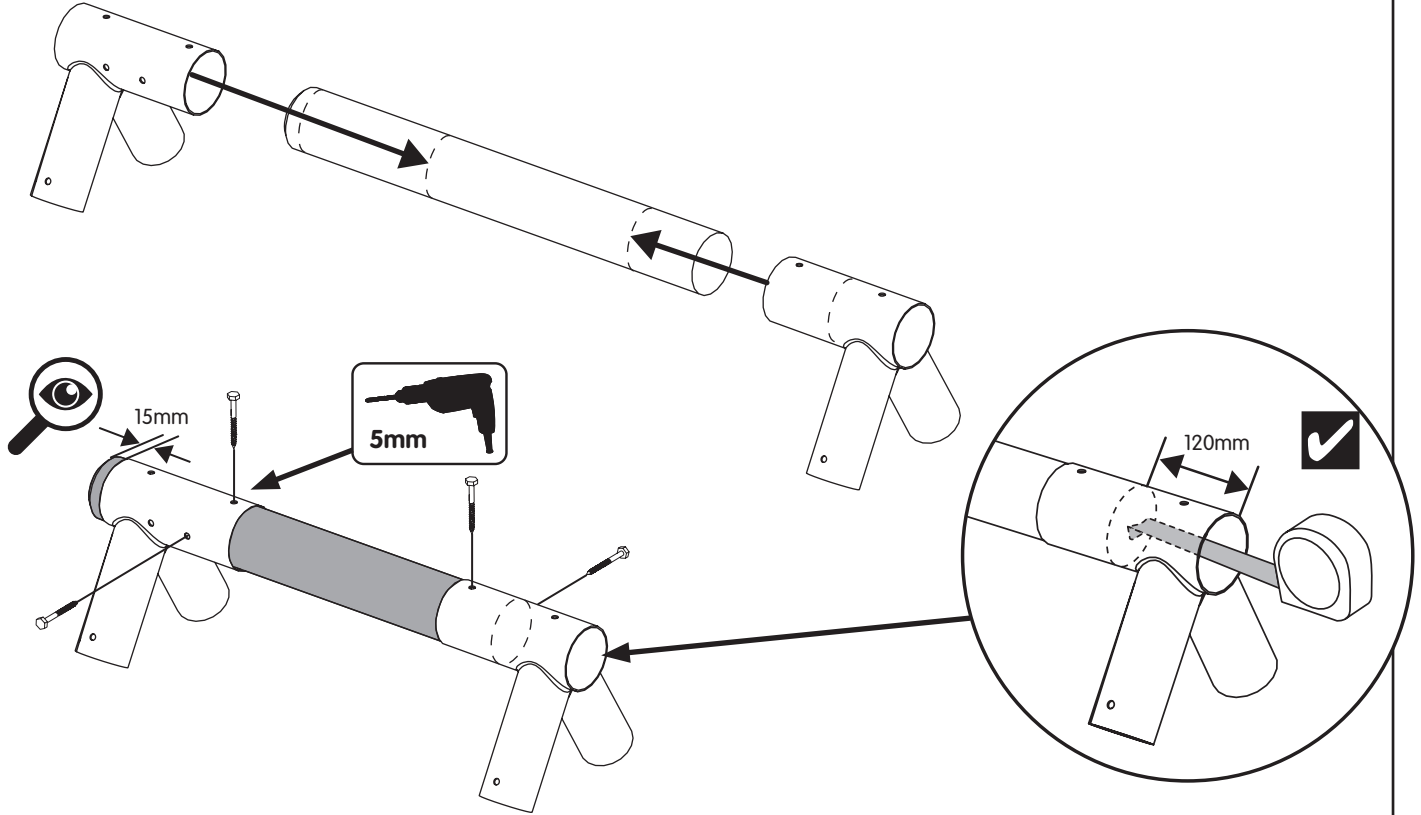
MW0228 795mm x1



FB6052
x2

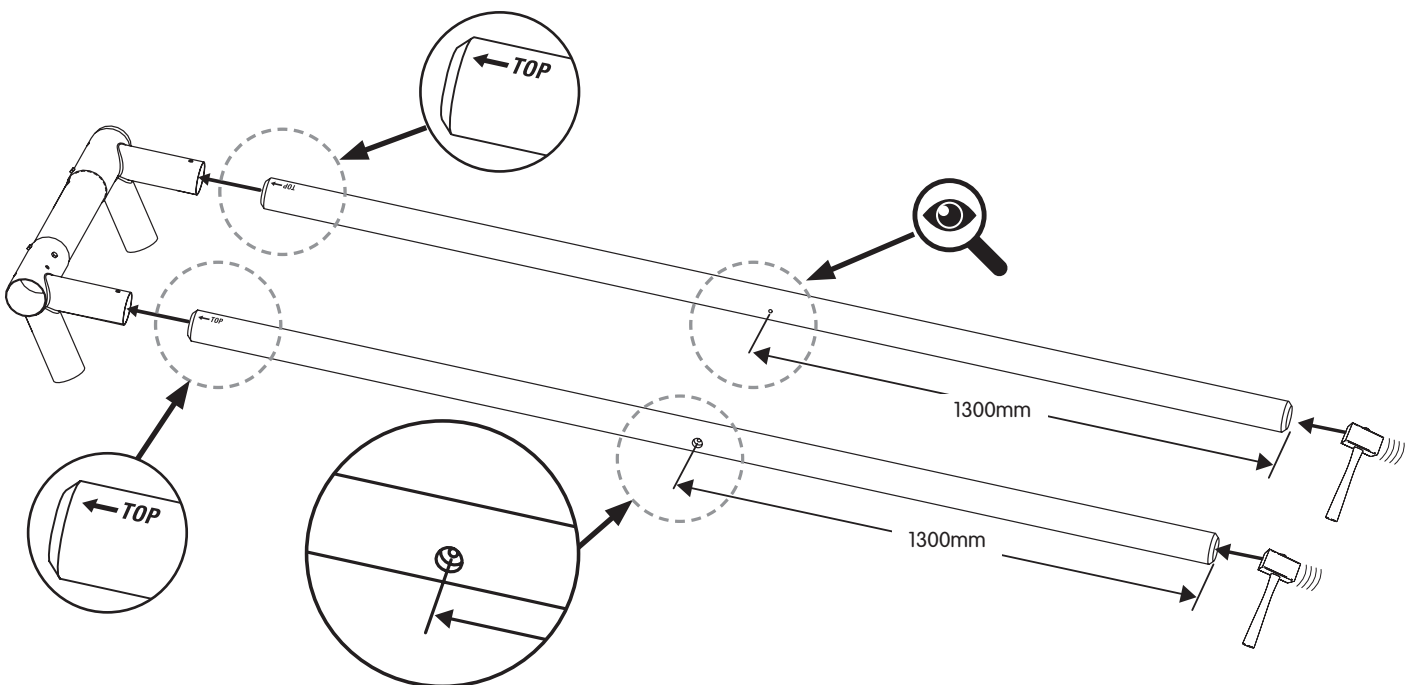
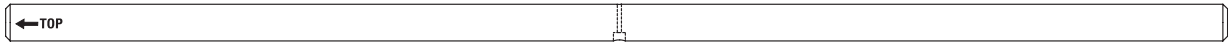


70mm FA8439
x4



2

MW0222 2668mm x2



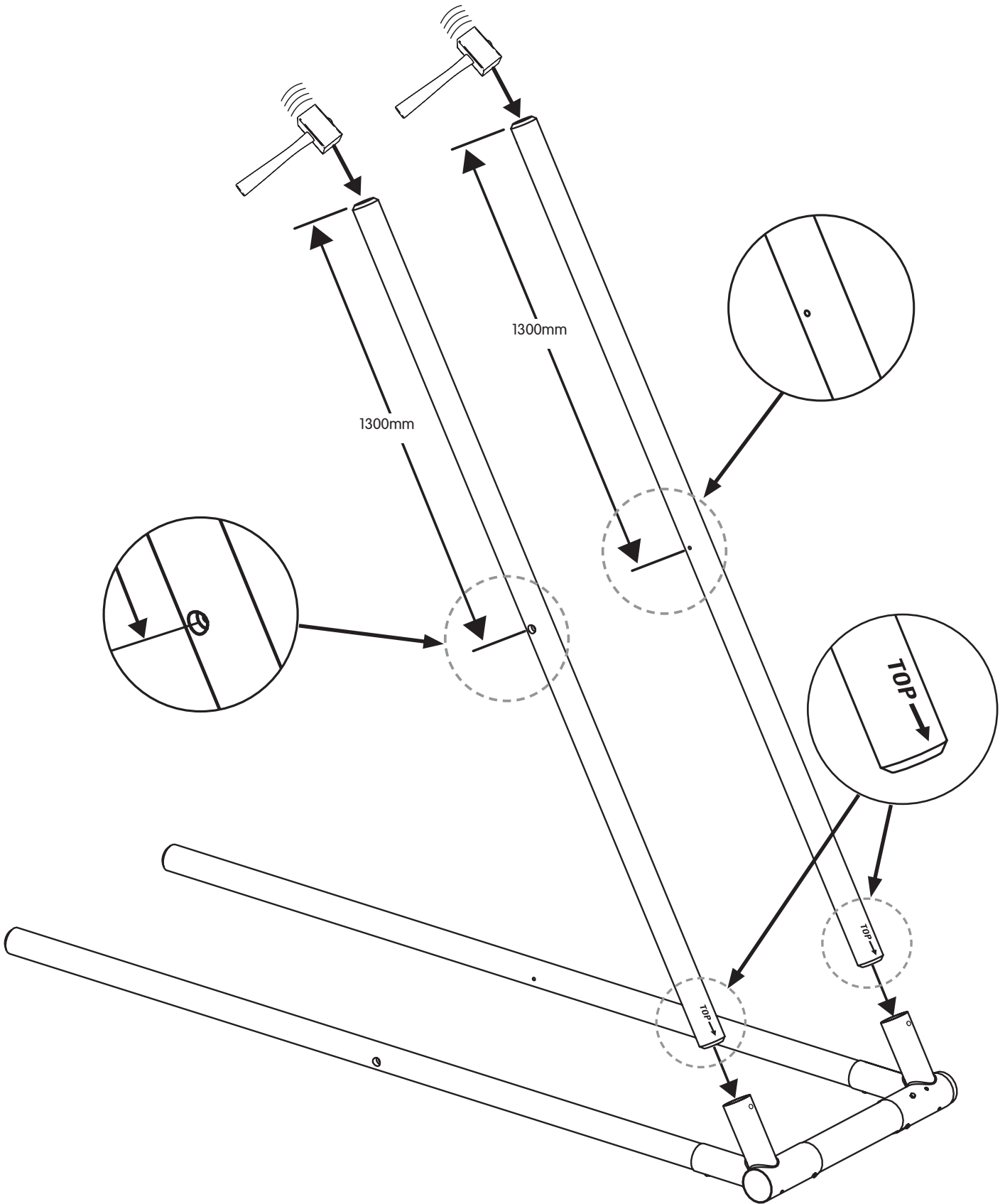
6

TP885 TP887 & TP886

3

MW0222 2668mm x2

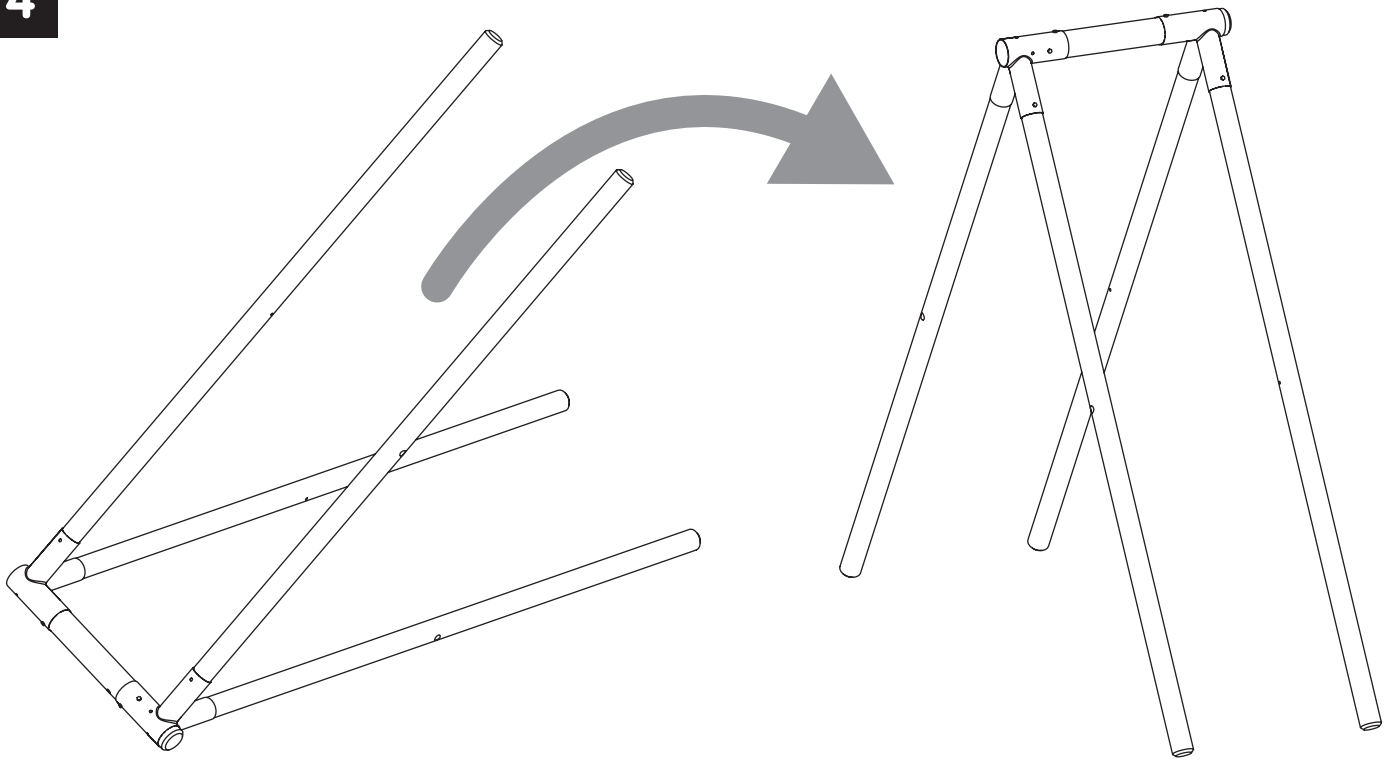
←TOP



7

TP885 TP887 & TP886

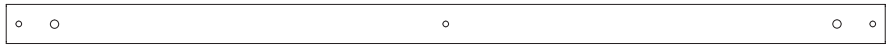
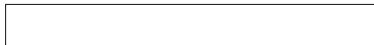
4



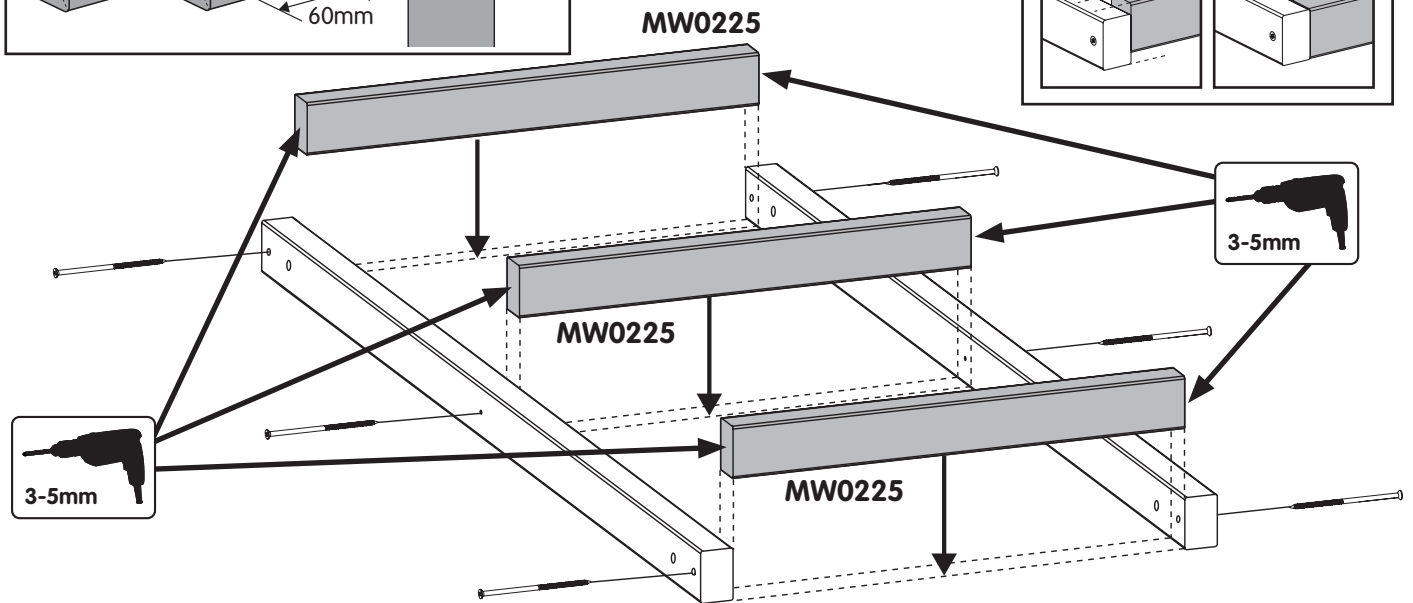
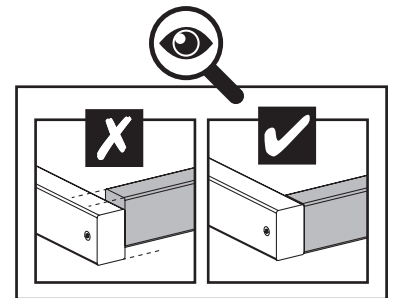
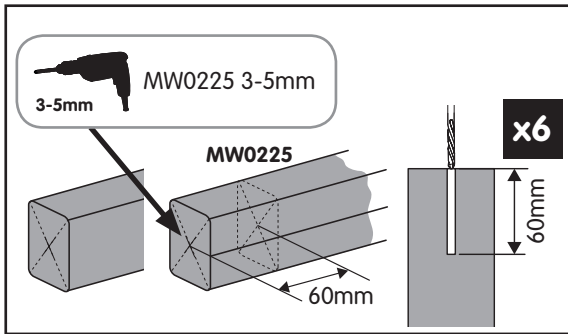
5

MW0225 612mm x3

MW0226 1550mm x2



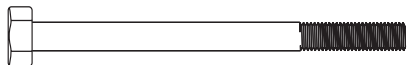
6 x 155mm FA9784
x6



8

TP885 TP887 & TP886

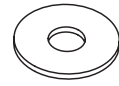
6



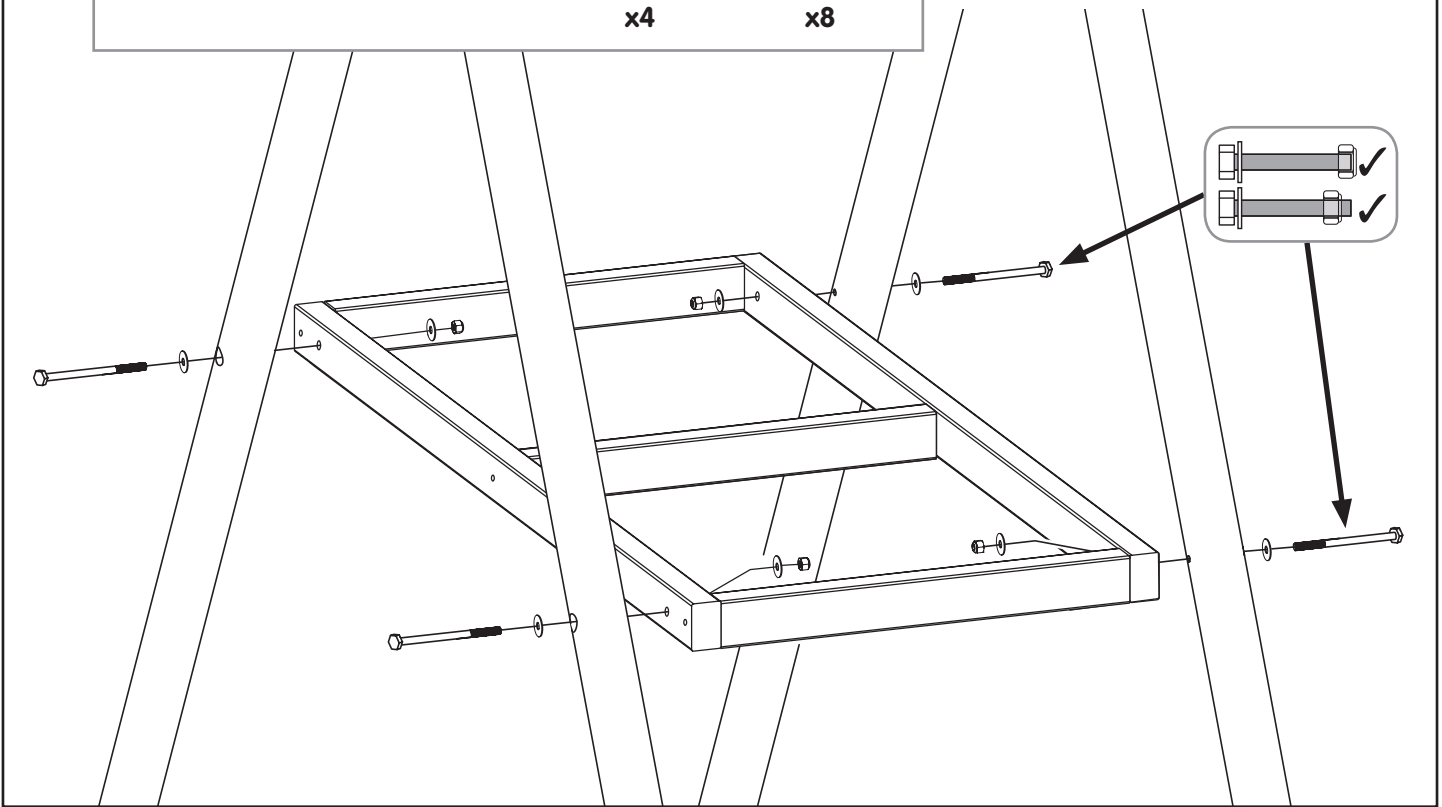
M8 x 120mm FA9771
x4



M8
FA5174
x4



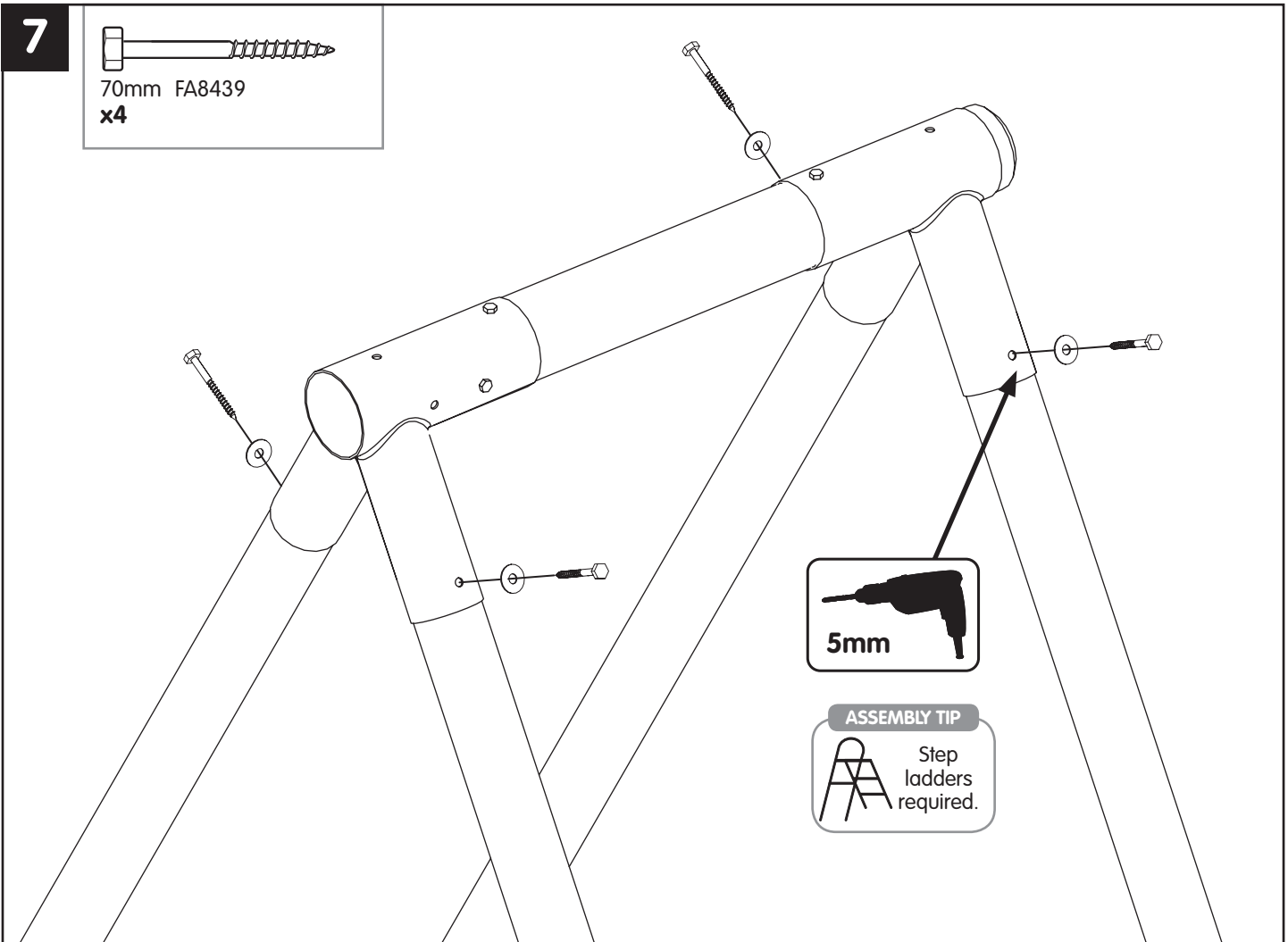
M8 x 25mm
FA8440
x8



7



70mm FA8439
x4



9

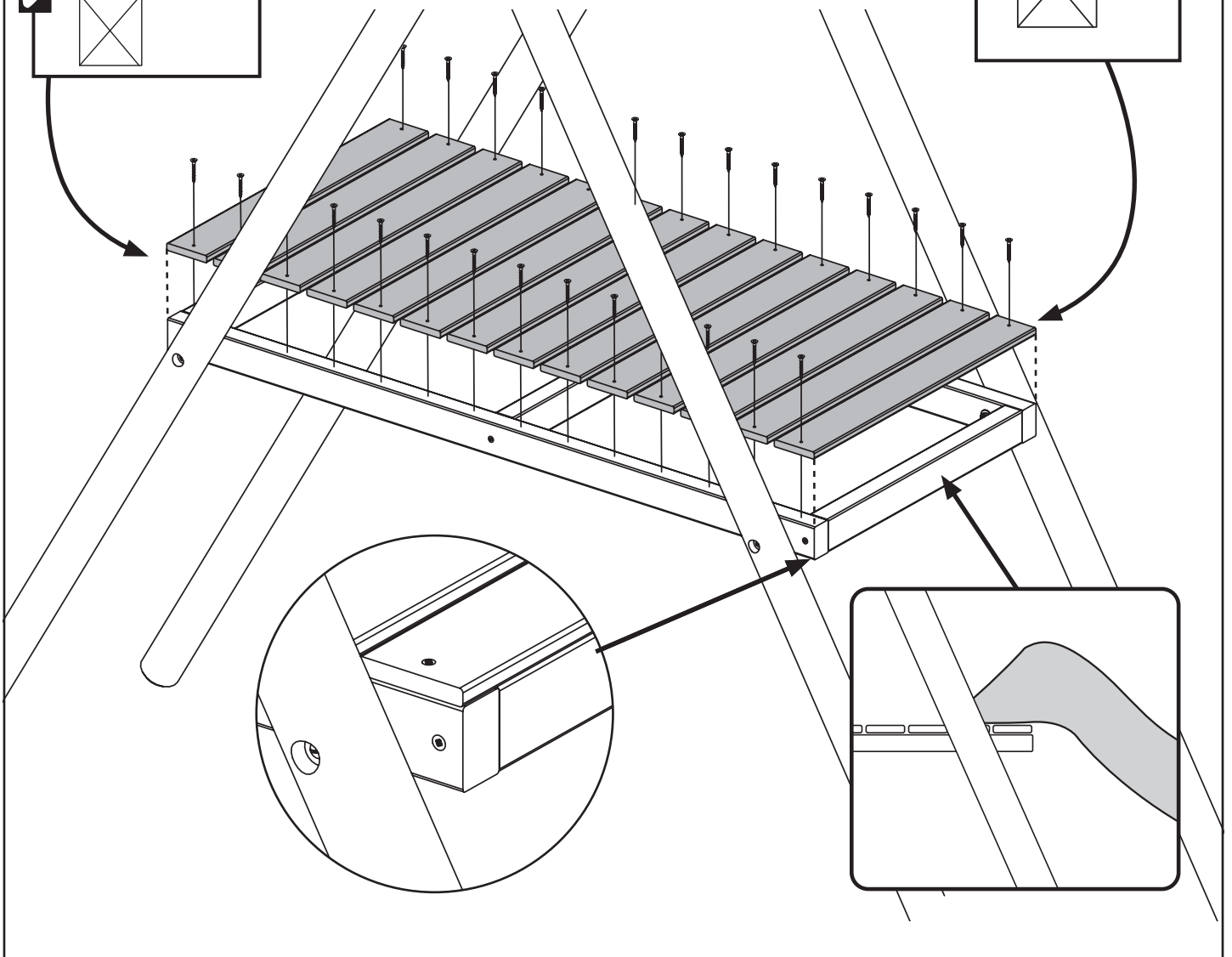
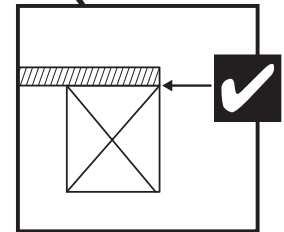
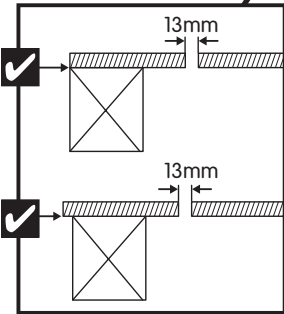
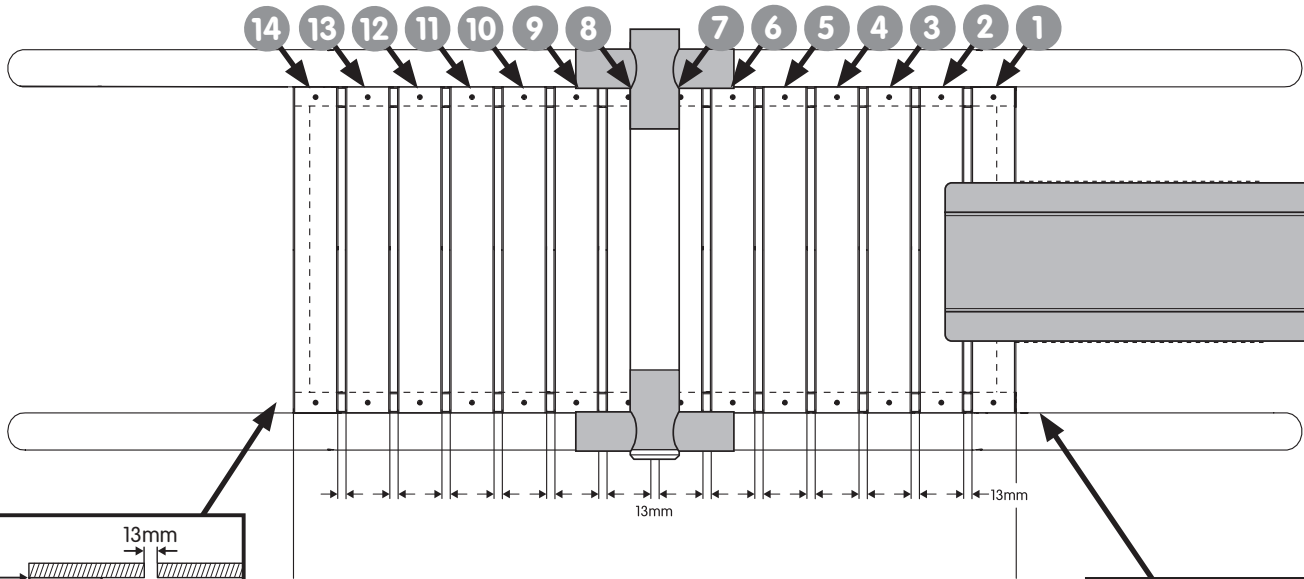
TP885 TP887 & TP886

8

MW0223 700mm x14



4.5 x 40mm FA4517
x28



10

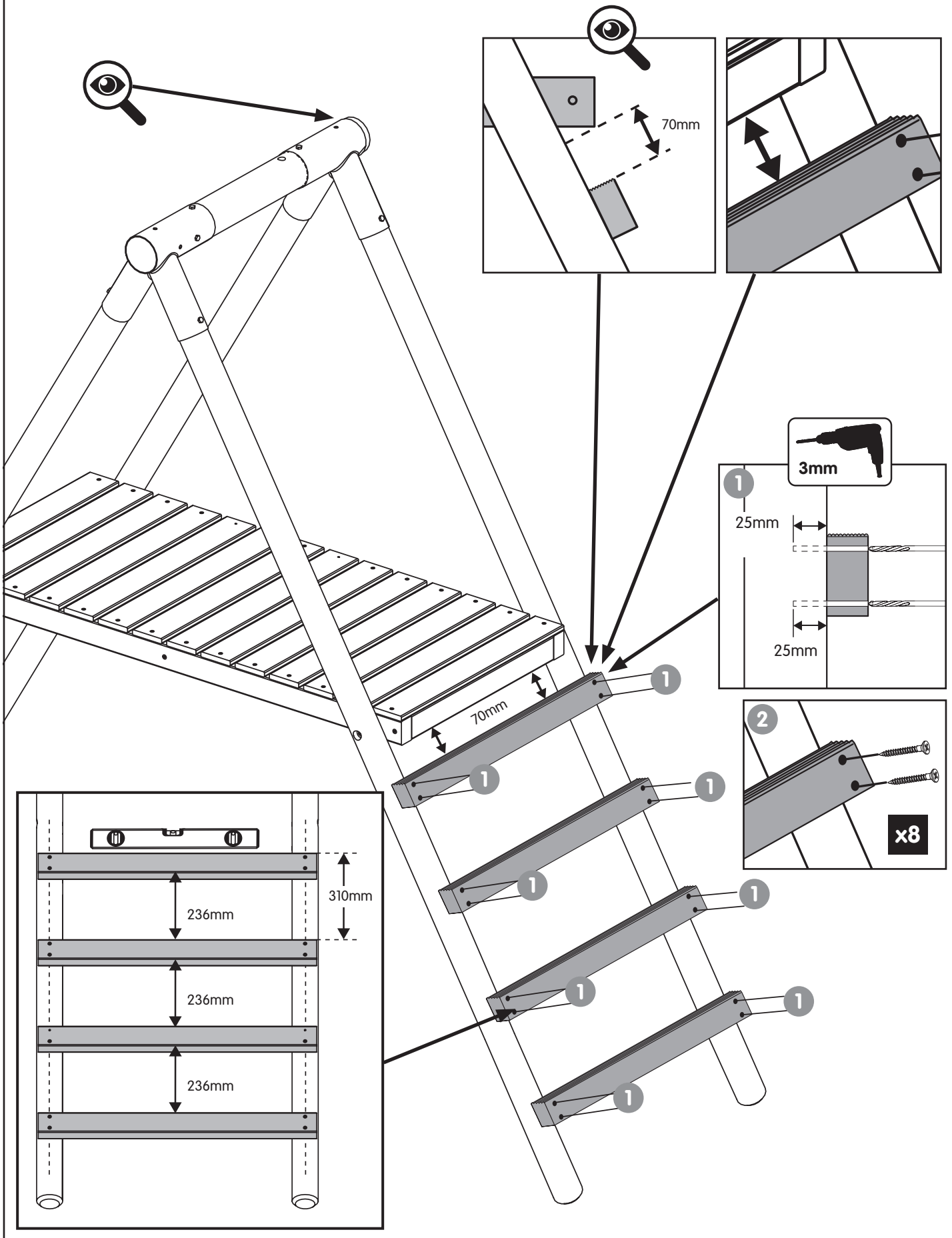
TP885 TP887 & TP886

9

MW0224 850mm x4



5 x 80mm FA4521
x16

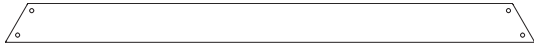


11

TP885 TP887 & TP886

10

MW0218 1400mm x2



MW0220 1015mm x2




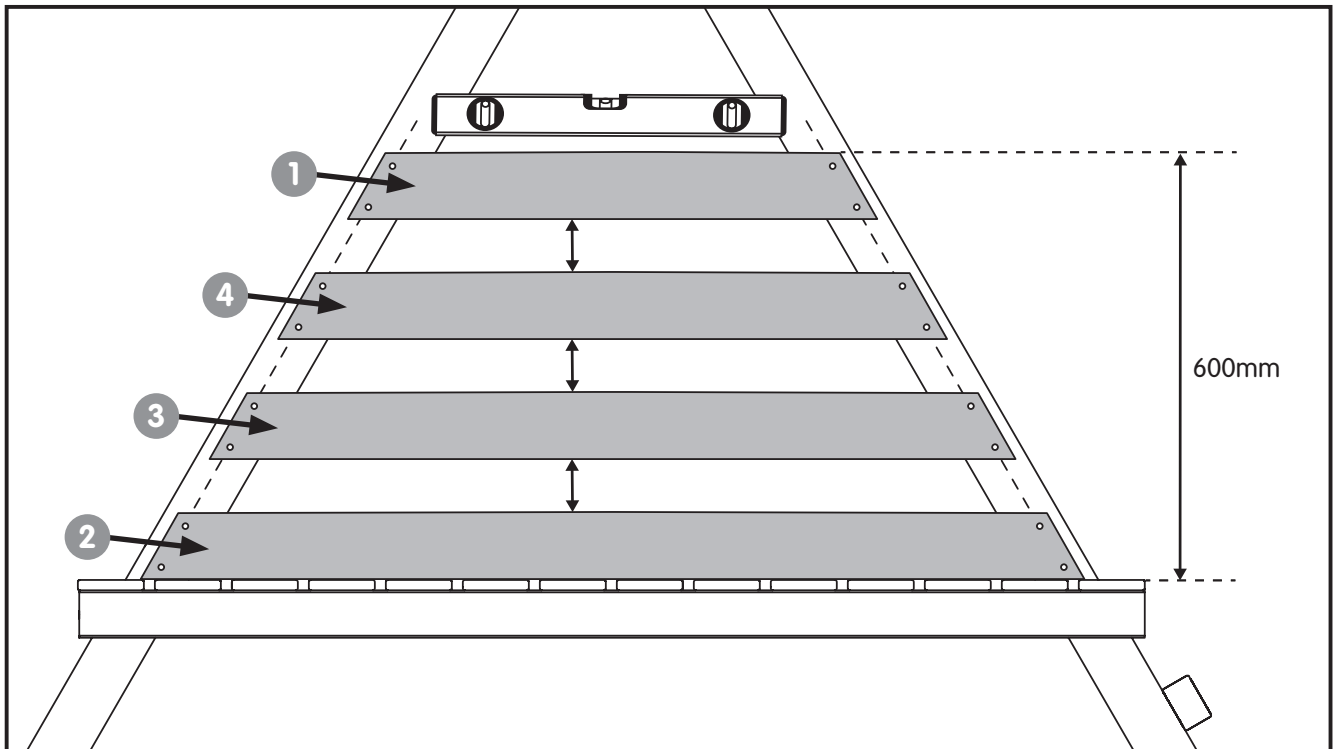
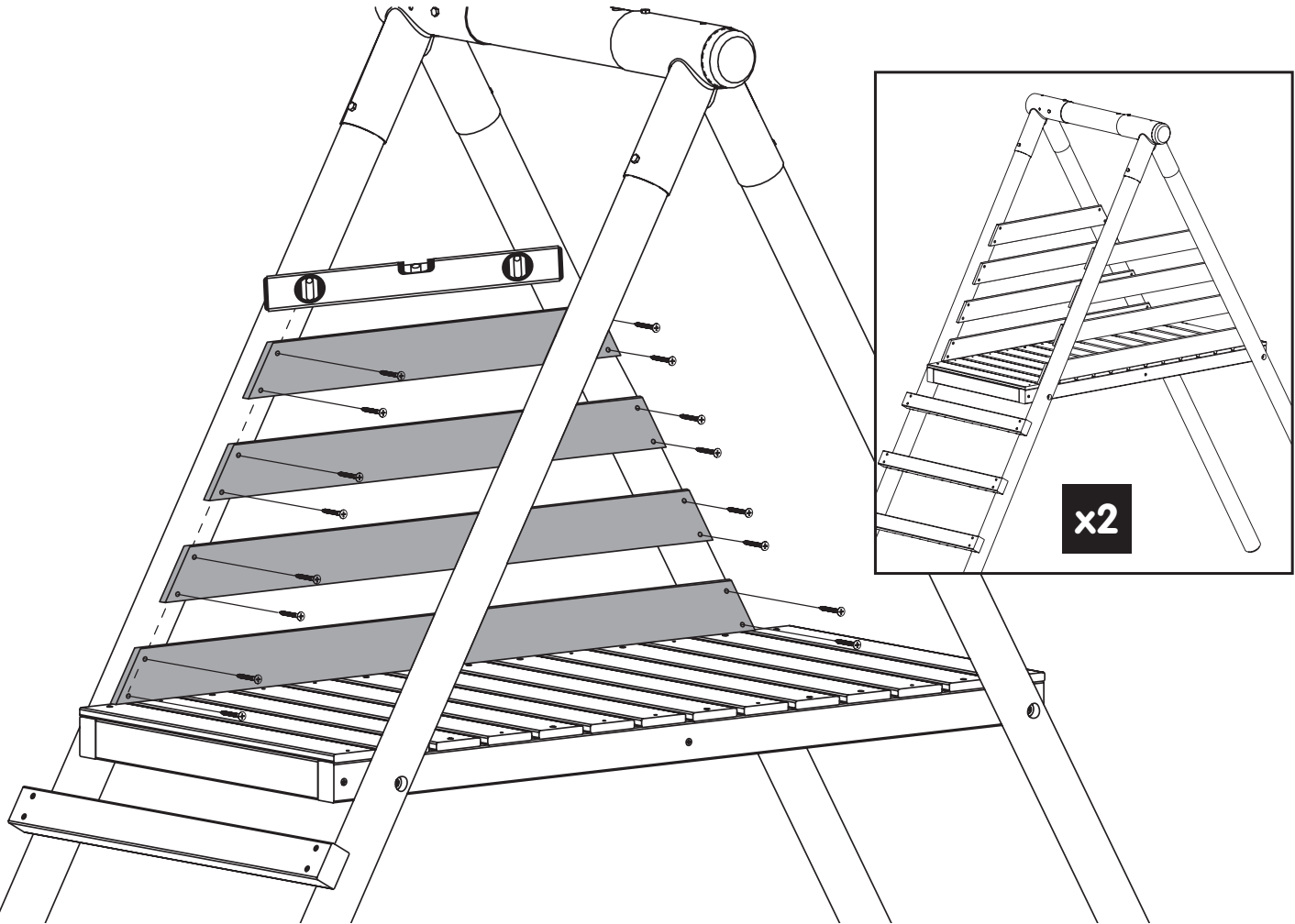
MW0219 1210mm x2



MW0221 825mm x2




4.5 x 40mm FA4517
x32



12

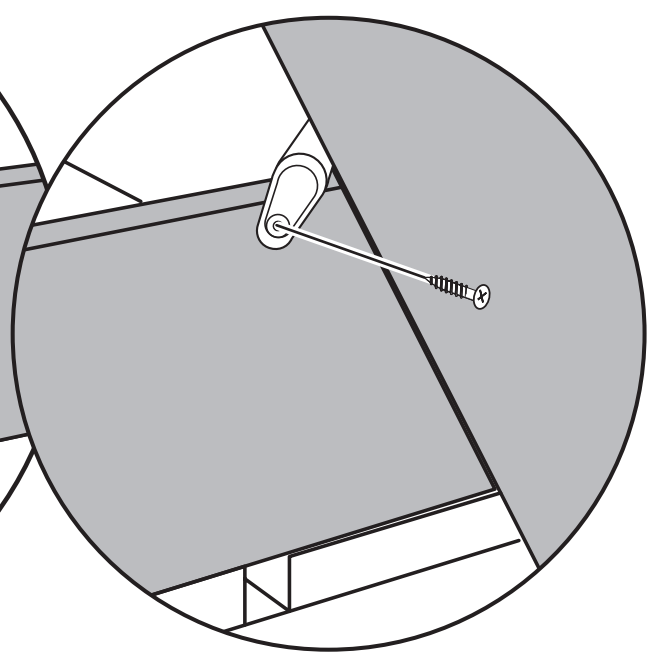
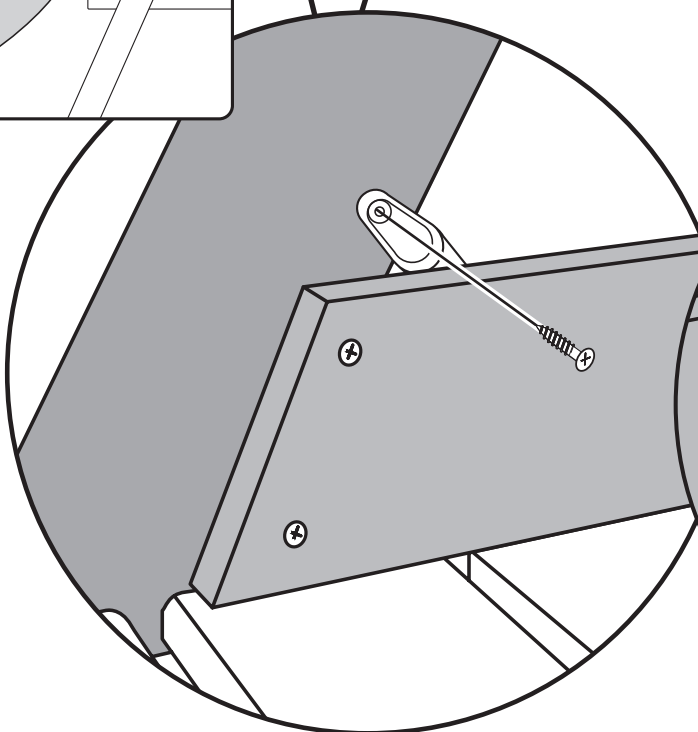
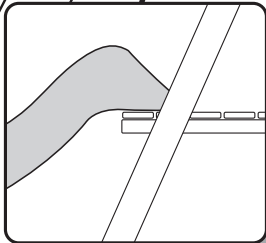
TP885 TP887 & TP886

11

4 x 16mm
FA4527
x16

PM8387
x8

x8 ✓



13

TP885 TP887 & TP886

TP885 TP887 TP886 - Swing Arm Assembly

12

MW0203 2250mm x1

MW0201 3000mm x1

PR9598
 TP885 x2
 TP887 x2
 TP886 x3

FB6038
 x1

ASSEMBLY TIP

Generic view of Top Bar only.
 Actual Top Bar will vary
 depending on product purchased.

TP885 & TP887

MW0203

TP886

MW0201

13

TP885 & TP887

15mm

70mm FA8439
 x2

M8 x25mm
 FA8440
 x2

5mm

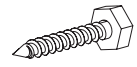
TP886

750mm

14

TP885 TP887 & TP886

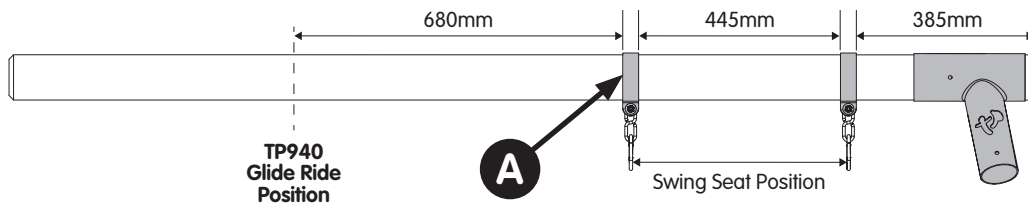
Locate your swing seats correctly:



40mm
FA8380
TP885 x2
TP887 x2
TP886 x3

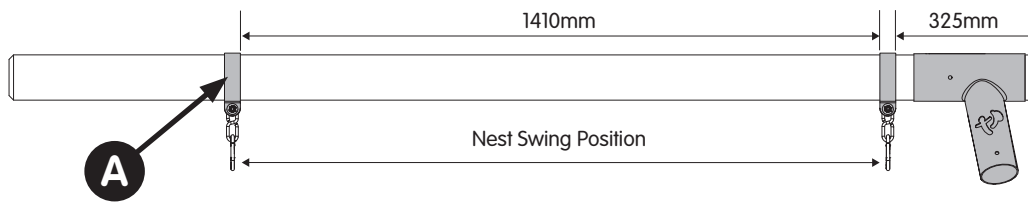
TP885

MW0203 - Double Top Bar



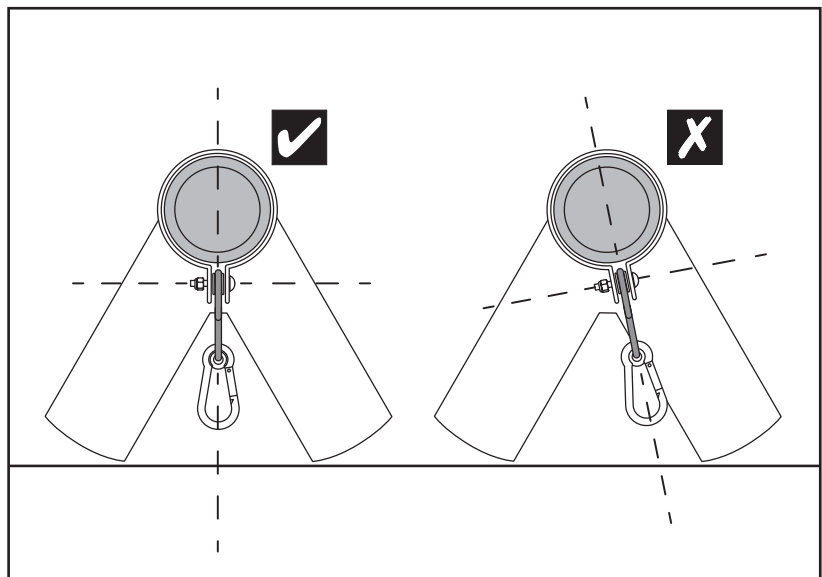
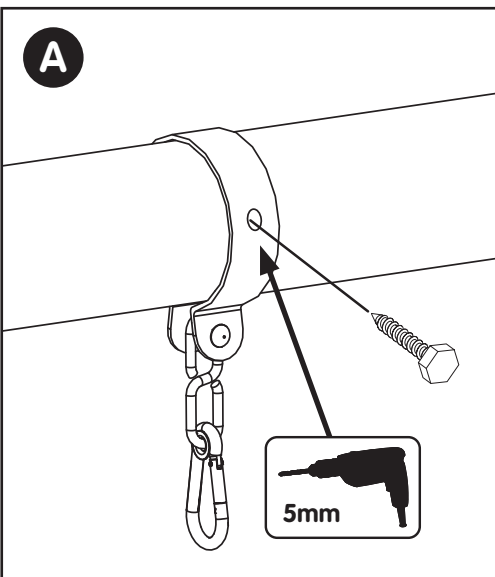
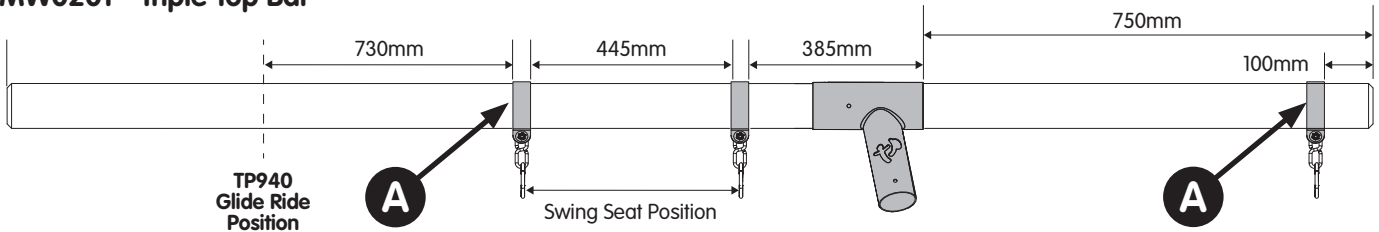
TP887

MW0203 - Double Top Bar



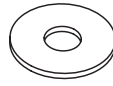
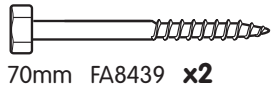
TP886

MW0201 - Triple Top Bar



15

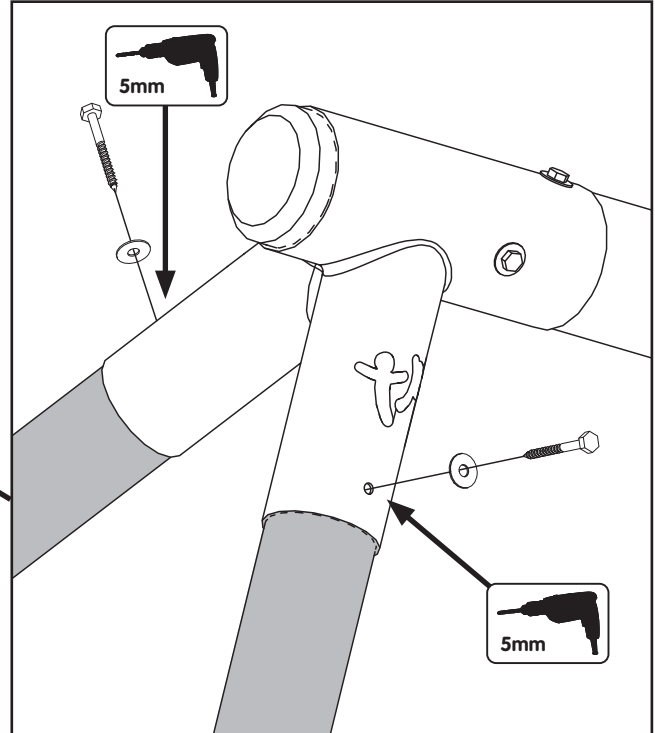
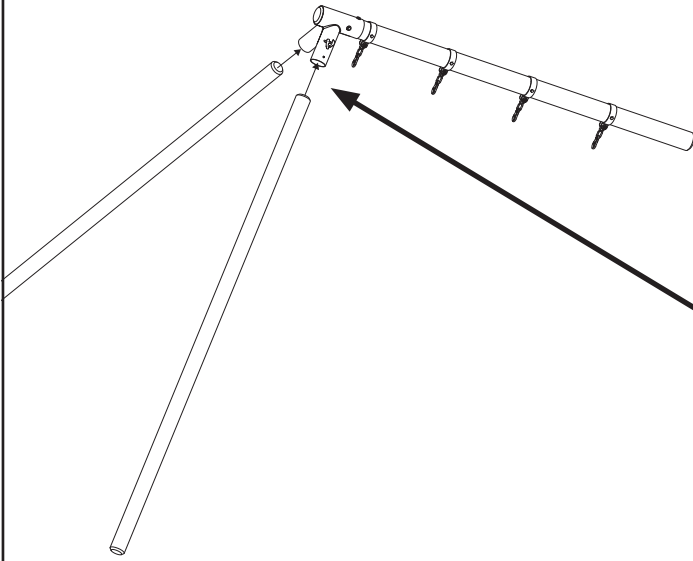
MW0200 2700mm x2



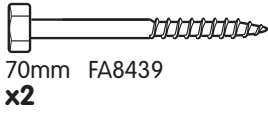
M8 x25mm Washer
FA8440
x2

ASSEMBLY TIP

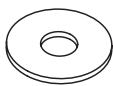
Generic view of Top Bar only.
Actual Top Bar will vary
depending on product purchased.



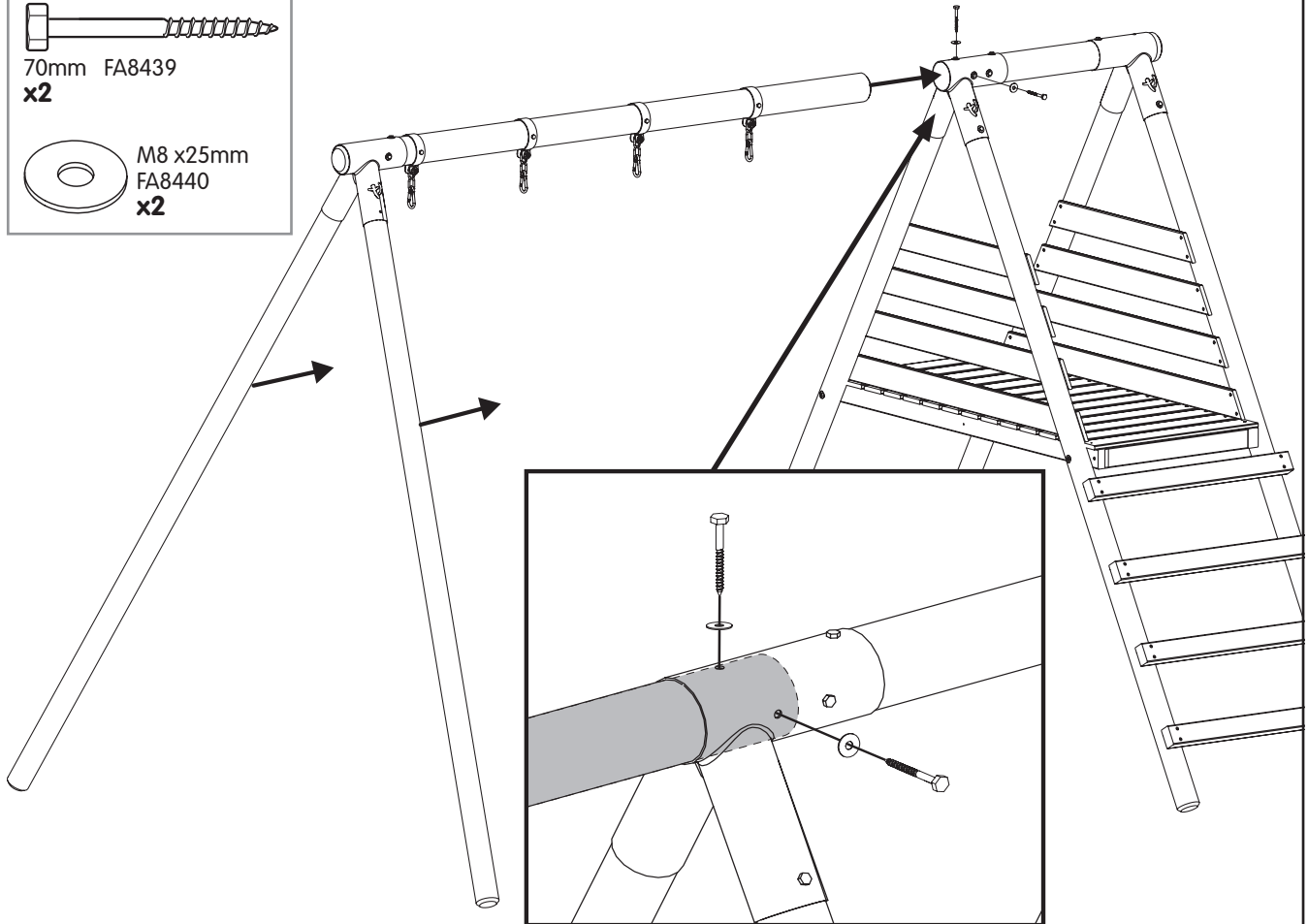
16



70mm FA8439
x2



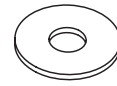
M8 x25mm
FA8440
x2



MW0202 900mm x1



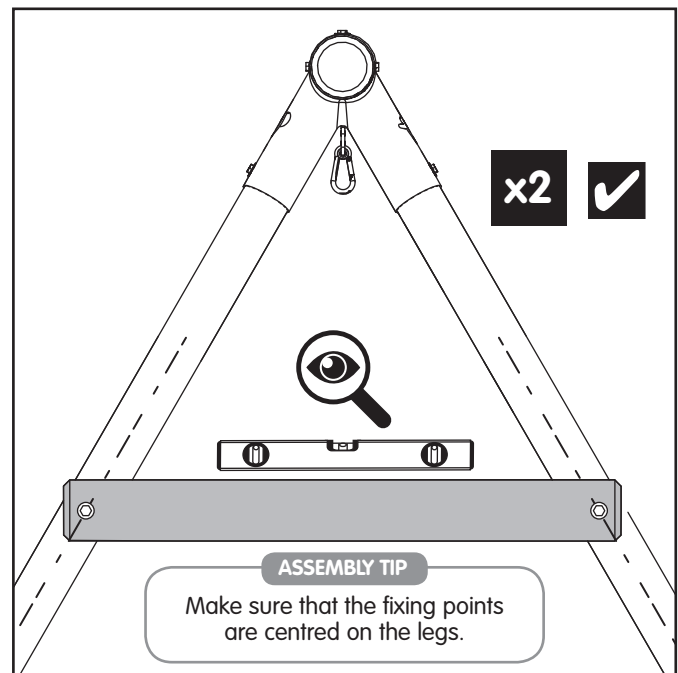
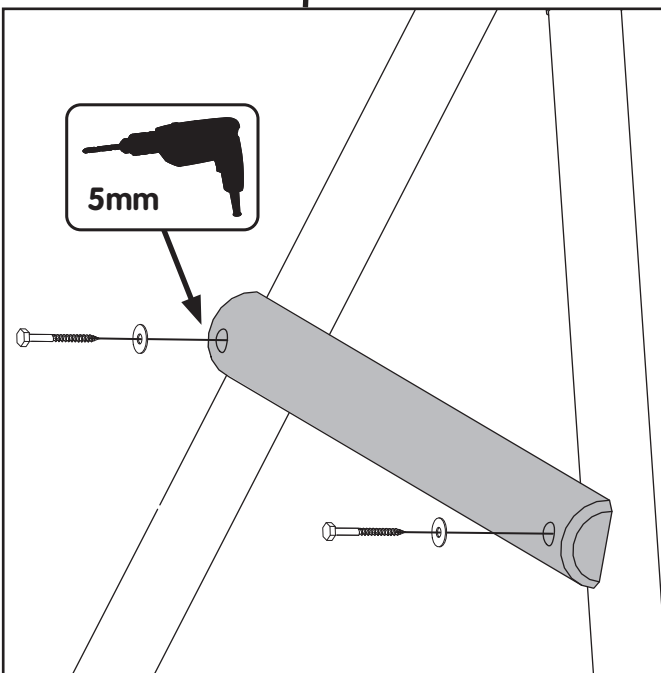
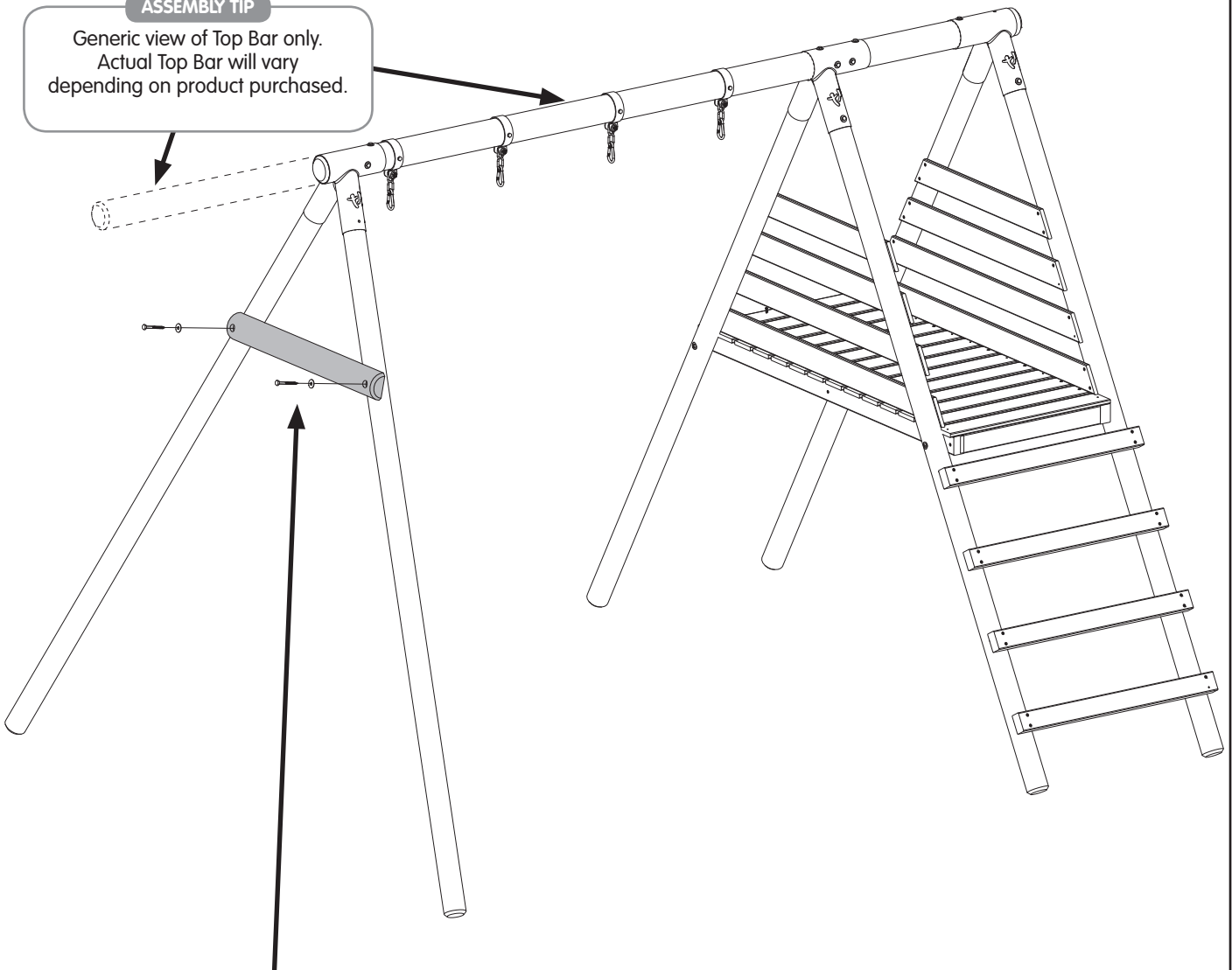
70mm FA8439
x2



M8 x25mm
FA8440
x2

ASSEMBLY TIP

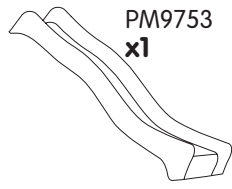
Generic view of Top Bar only.
Actual Top Bar will vary
depending on product purchased.



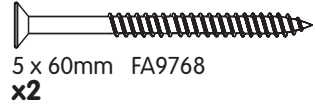
ASSEMBLY TIP

Make sure that the fixing points
are centred on the legs.

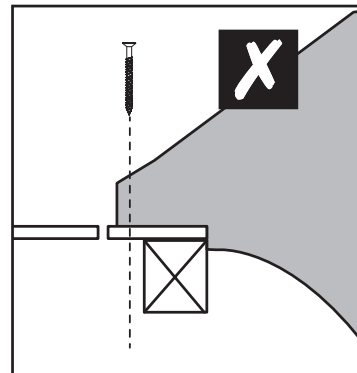
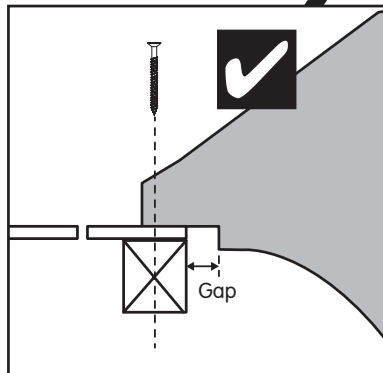
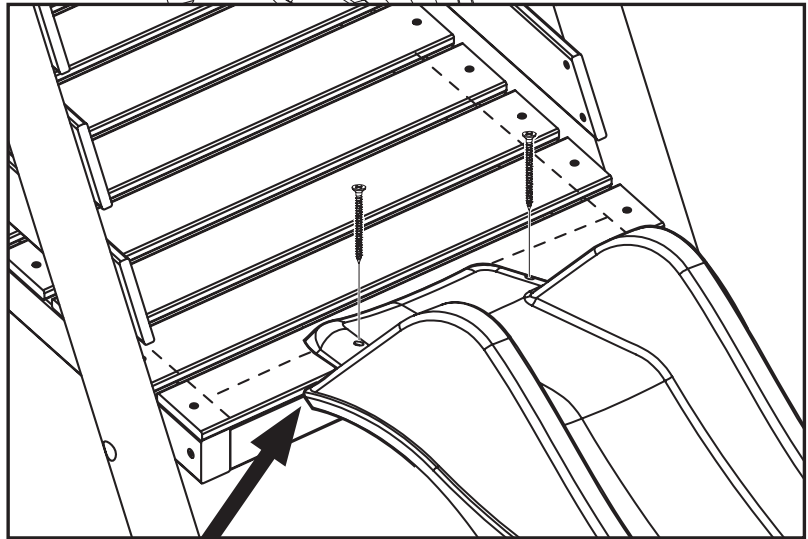
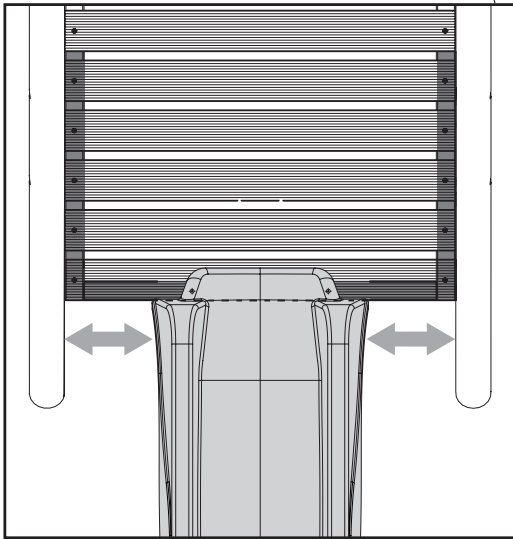
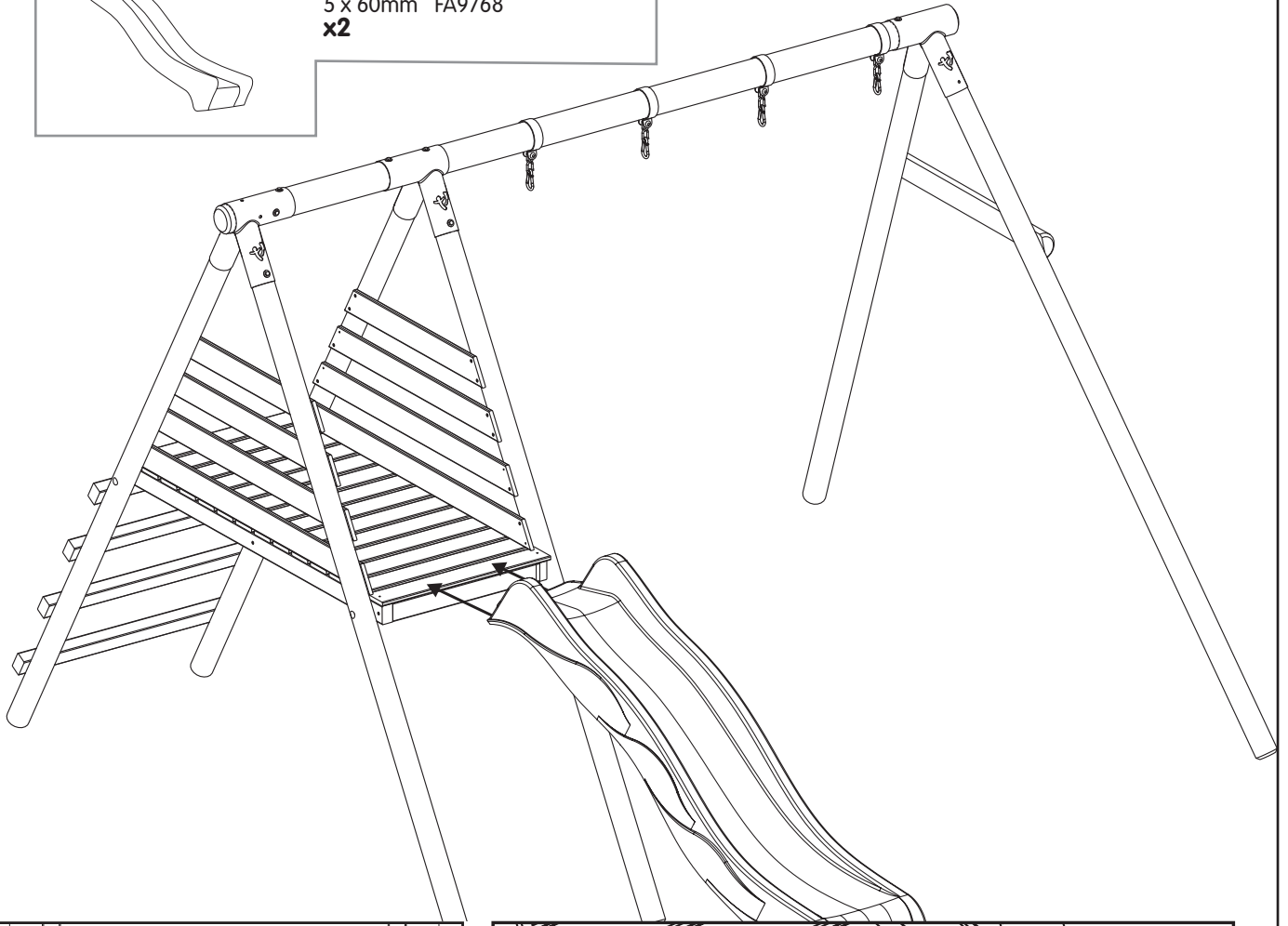
18



PM9753
x1



5 x 60mm FA9768
x2



TP880 TP877 TP883 - Attaching Swing Accessories

19



TP928
Lime Seat



TP934
Button Seat

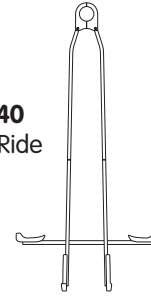


IMPORTANT ASSEMBLY TIP

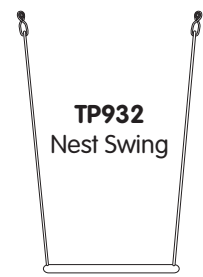
Glide Ride and Nest Swing need to be built before attaching to the Top Bar.

Please refer to product instruction manuals supplied with these products.

TP940
Glide Ride



TP932
Nest Swing

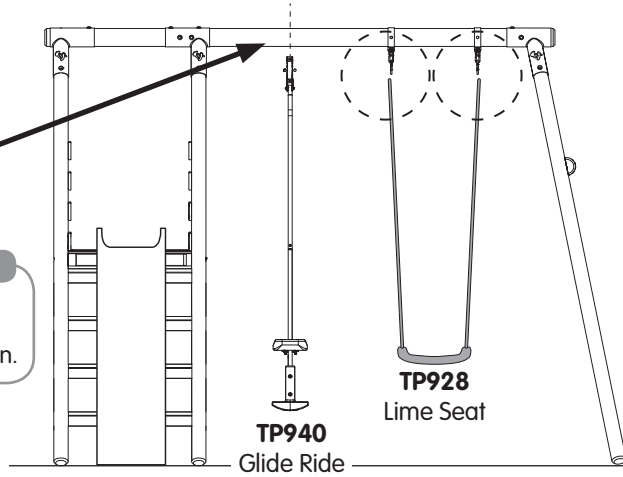


TP885



ASSEMBLY TIP

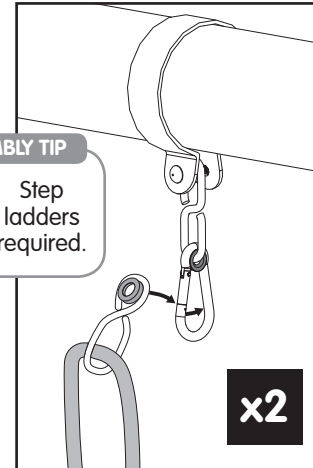
See Stage 14 for Glide Ride fixing dimension.



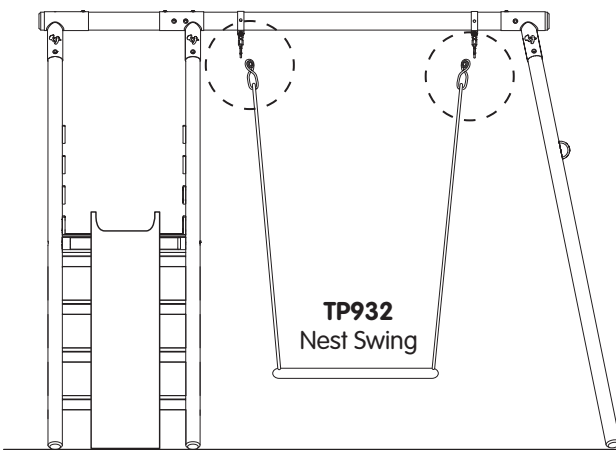
ASSEMBLY TIP



Step ladders required.



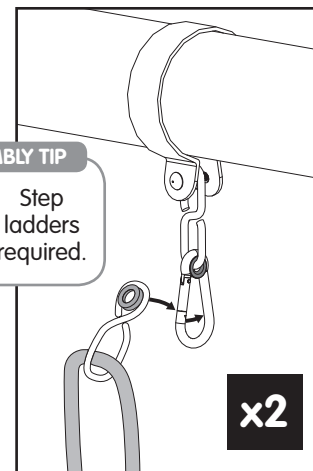
TP887



ASSEMBLY TIP



Step ladders required.

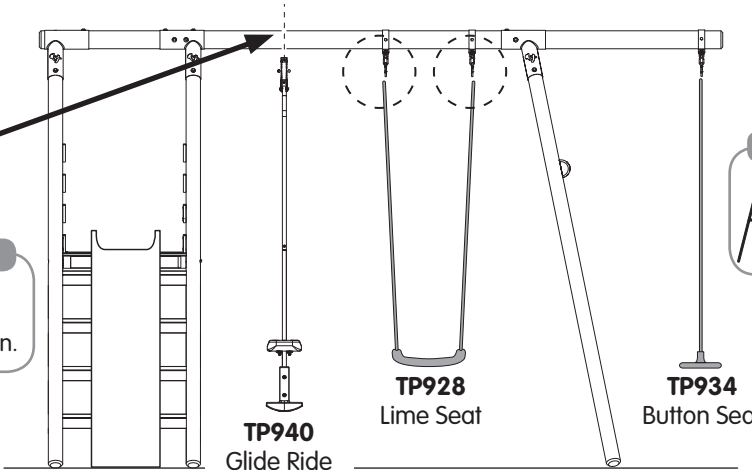


TP886



ASSEMBLY TIP

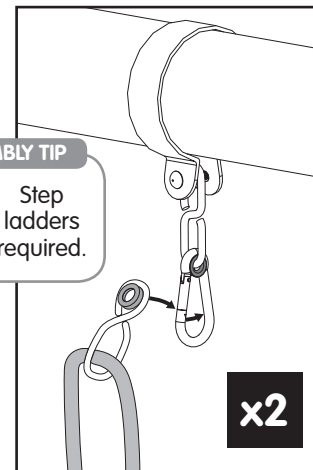
See Stage 14 for Glide Ride fixing dimension.



ASSEMBLY TIP

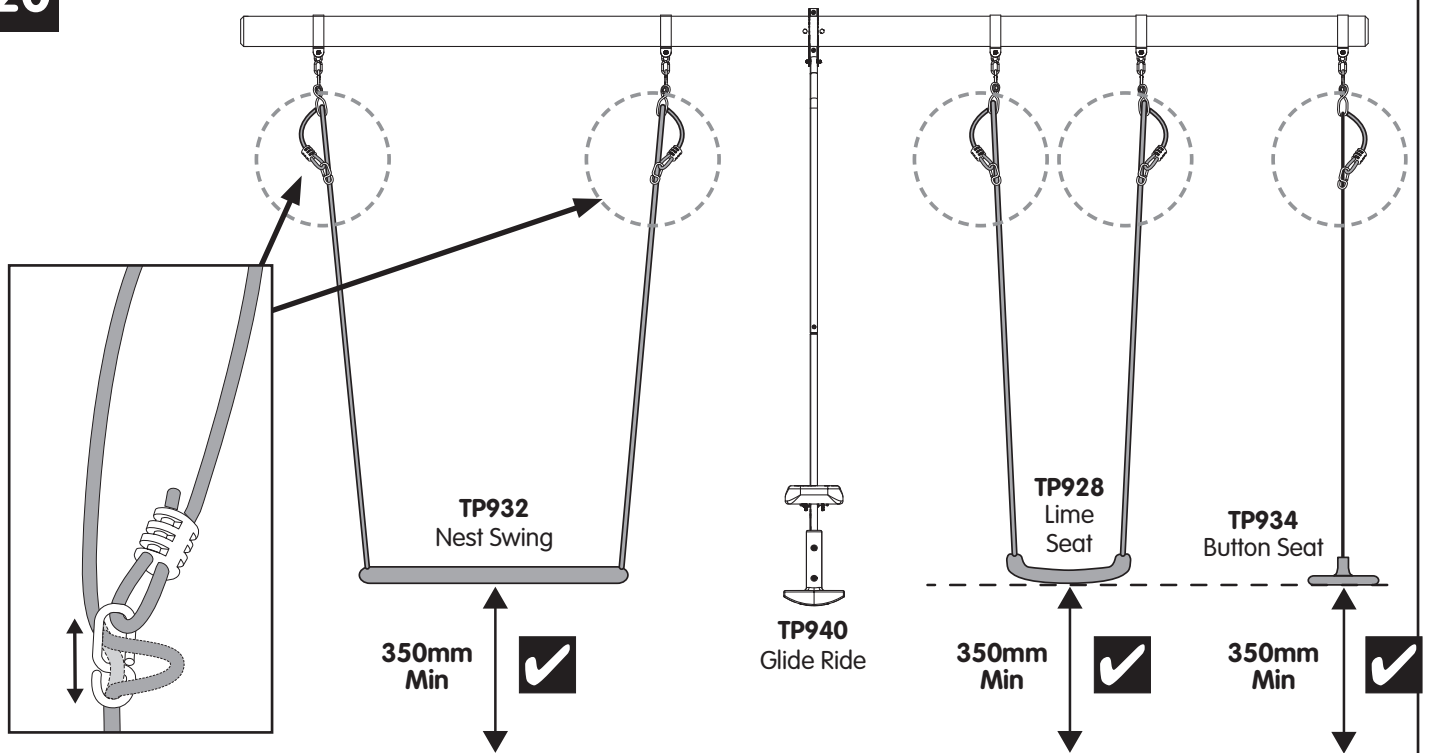


Step ladders required.



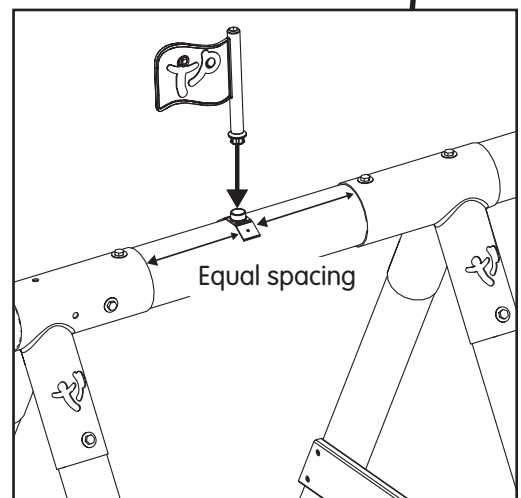
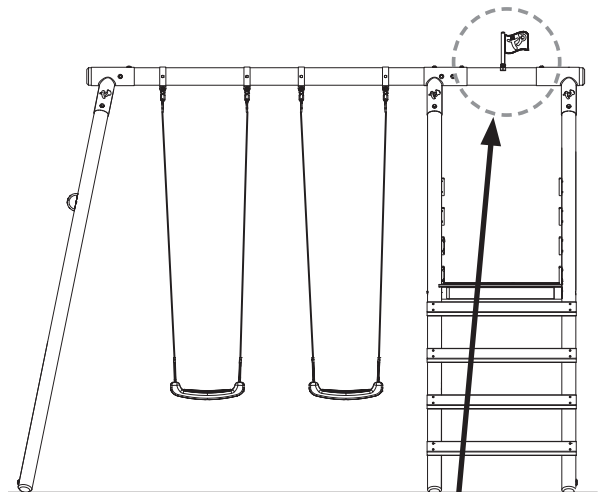
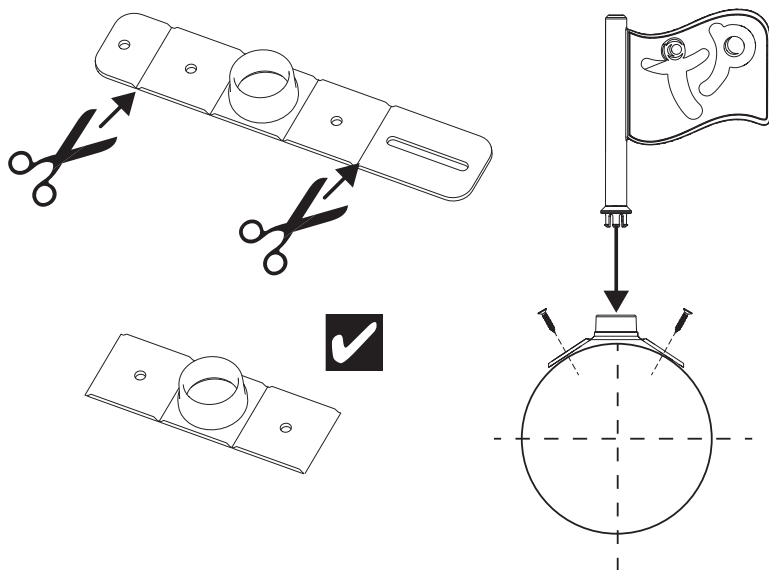
Swing Accessories - Height adjustment

20



21

- PM1968 x1
- 4 x 16mm FA4527 x2
- PM1007 x1



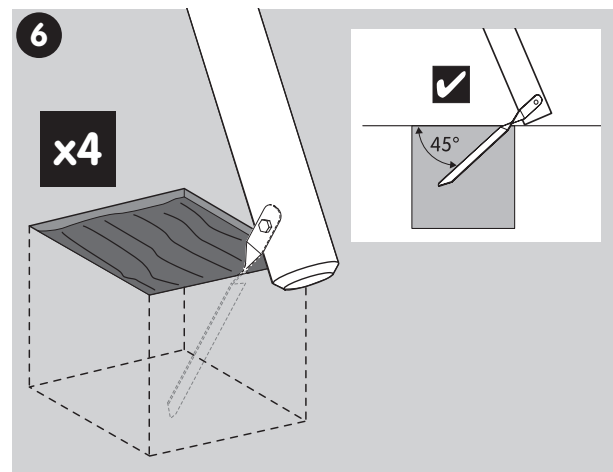
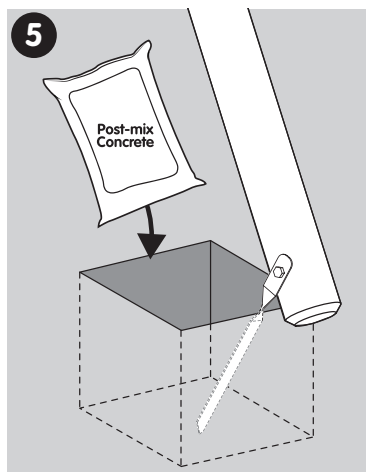
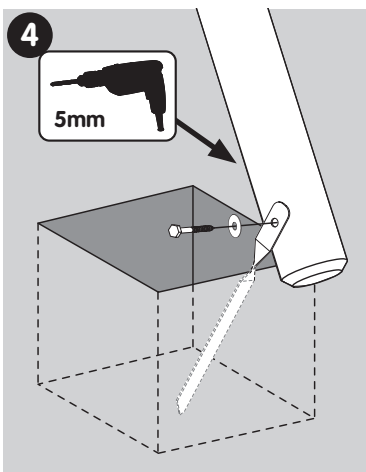
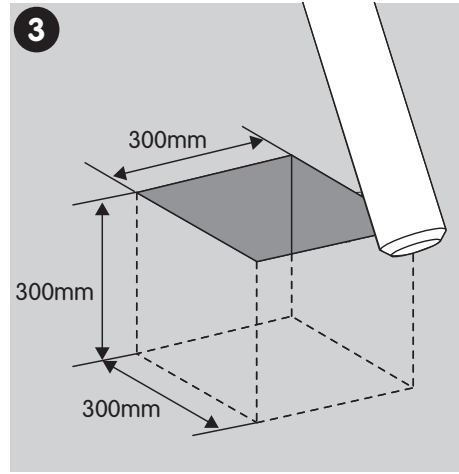
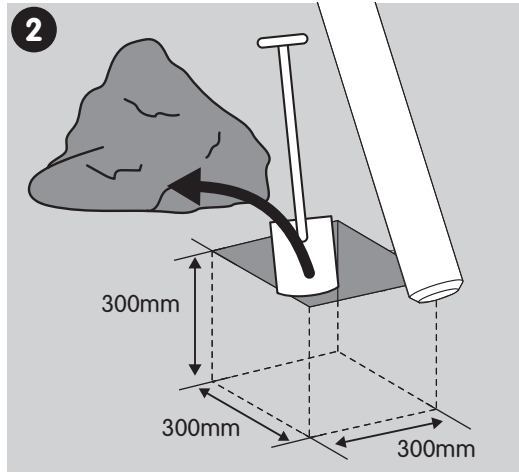
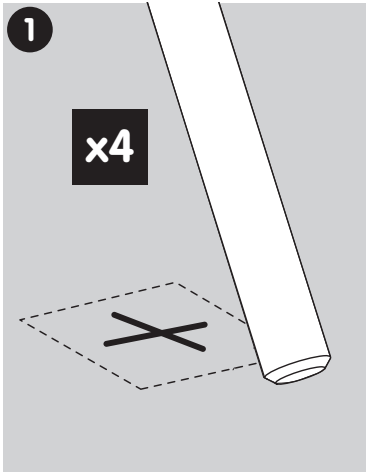
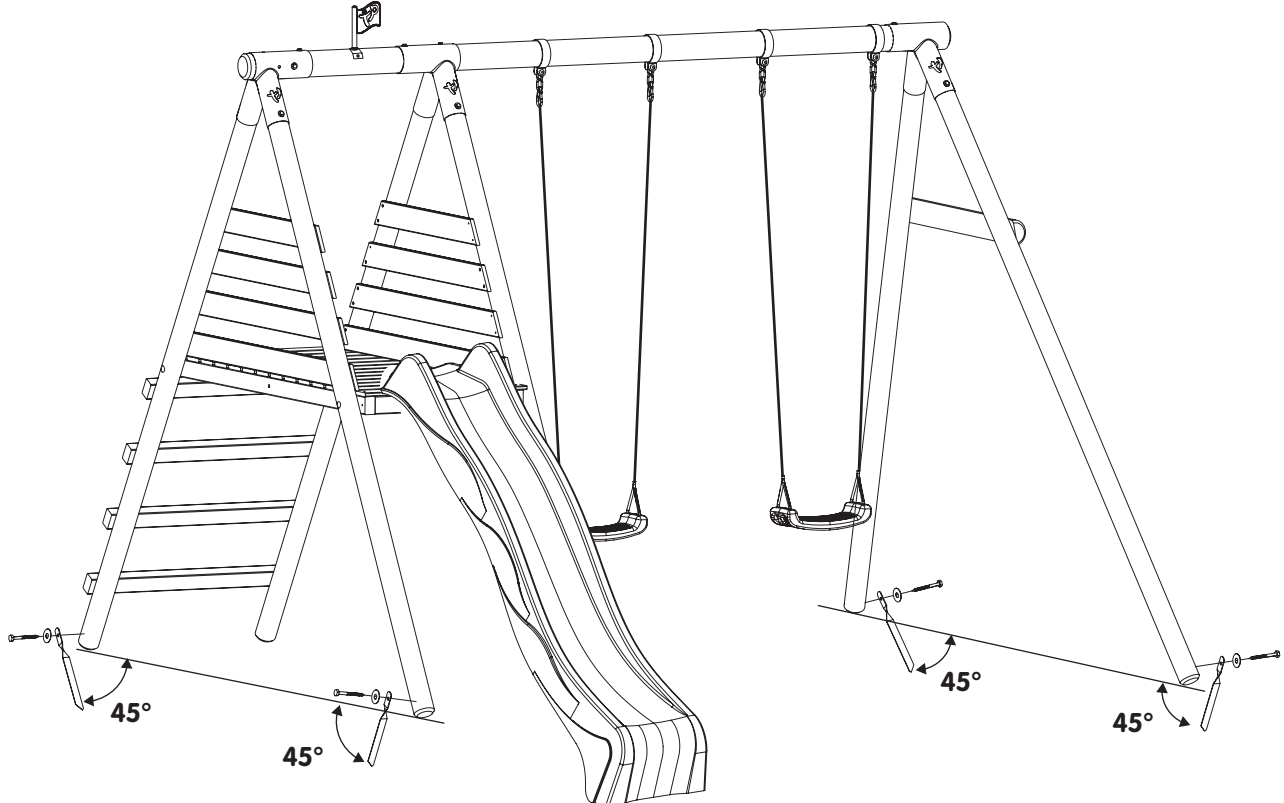
TP885 TP887 & TP886

20

70mm FA8439
x4

PR5069
x4

M8 x25mm
FA8440
x4





Thank you

Thank you for purchasing this product.

Please register your new product on line at tptoys.com

visit www.tptoys.com/productregistration

Find out about the guarantee for this product,

visit www.tptoys.com/guarantee

For customer services and help with your product,

visit www.tptoys.com/customer/help

Your TP Guarantee Number/Product Batch No is